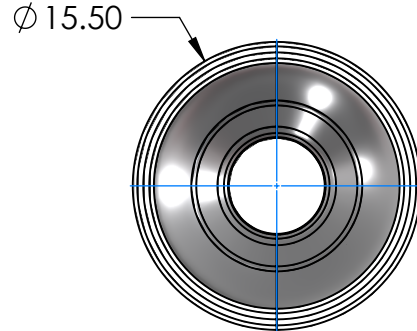
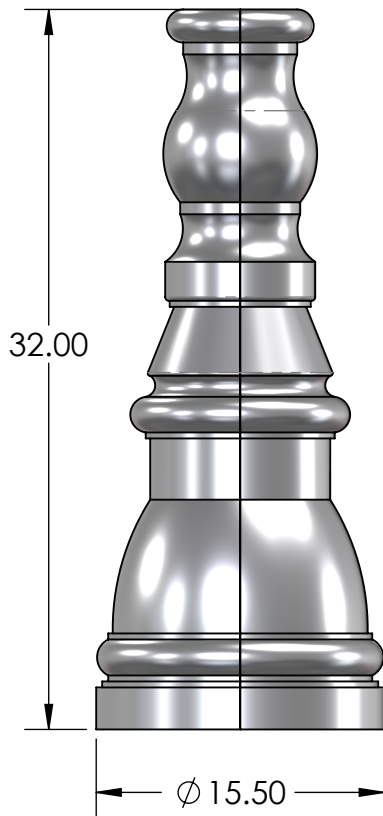
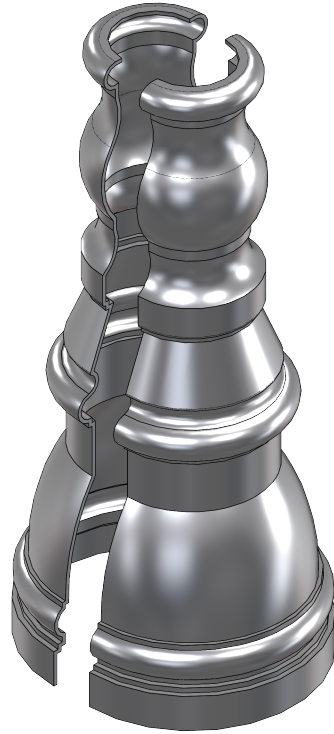


REVISIONS				
ZONE	REV.	DESCRIPTION	DATE	APPROVED

**PB06 DECORATIVE BASE.  
2PC. CLAMSHELL  
P/N: PB06-4 (4" OD POLE)  
P/N: PB06-5 (5" OD POLE)**



**NOTES, UNLESS OTHERWISE SPECIFIED:**

1. ALL DIMENSIONS ARE IN INCHES.
2. MATERIAL: ALUMINUM ALLOY A356.
3. DRAFT ANGLE: = 3 DEG. TYP. (+/-) PLUS/MINUS DRAFT.
4. ALL FEATURES ARE SYMETRICAL TO CENTERLINE.

UNLESS OTHERWISE SPECIFIED:		NAME	DATE		JR TAPIA DESIGN BURBANK, CA 90151 PH: 310-879-3355 WWW.JRTAPIADESIGN.COM		
DIMENSIONS ARE IN INCHES TOLERANCES: ANGULAR: MACH ± 1° BEND ± 1° DIMENSIONS: .XX ± .03 .XXX ± .010	DRAWN				TITLE:	<b>PB06 DECORATIVE BASE</b>	
INTERPRET GEOMETRIC TOLERANCING PER:	CHECKED			<b>PROPRIETARY AND CONFIDENTIAL</b>  THE INFORMATION CONTAINED IN THIS DRAWING IS THE SOLE PROPERTY OF JR Tapia Design. ANY REPRODUCTION IN PART OR AS A WHOLE WITHOUT THE WRITTEN PERMISSION OF JR Tapia Design IS PROHIBITED.	SIZE	DWG. NO.	REV
MATERIAL ALUMINUM A356 ALLOY	ENG APPR.	JR Tapia			<b>A</b>	<b>PB06</b>	
FINISH PER ORDER	PLANNING			SCALE: NTS	WEIGHT:	SHEET 1 OF 1	
DO NOT SCALE DRAWING	Q.A.						